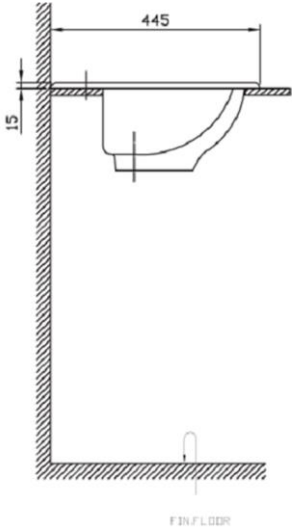

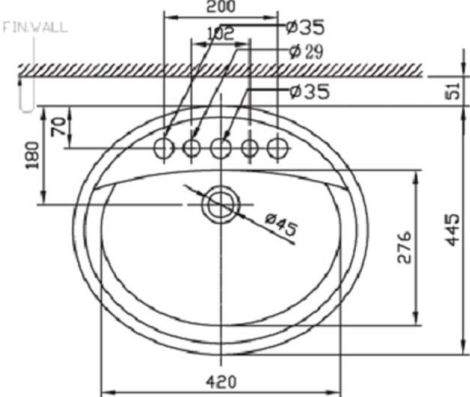
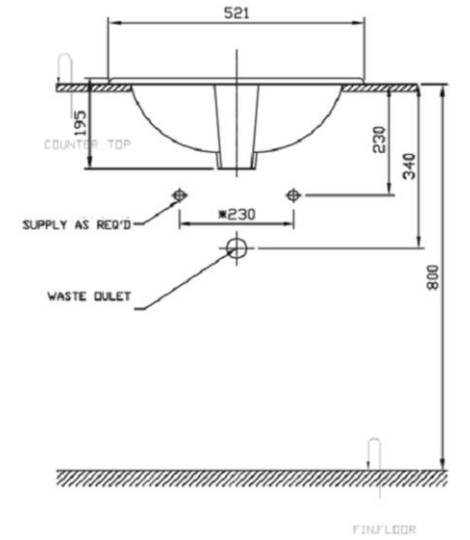




PROJECT		REF		REV	ITEM CODE	
LOCATION		DATE			PAGE	

SANITARY WARE SPECIFICATION SHEET

<p>Item Descriptions</p> <p>Dimensions</p> <p>Model</p> <p>Material / Colour</p> <p>Manufacturer</p> <p>Source</p> <p>Contact Tel/Fax</p> <p>E-mail</p> <p>Website</p>	<p>American Standard (Thailand) "Aqualyn" Vitreous china countertop washbasin tested on BS3402:1969; test report J2200B</p> <p>L521 x W445 x H188 mm</p> <p>TF476SP</p> <p>Vitreous China / White</p> <p>American Standard (Thailand)</p> <p>Acme Sanitary Ware Co. Ltd Mr. Eric Wong/ Mr. Wilson Hung</p> <p>(852) 2388-7171 / (852) 2710-8012 acme@acmesanitary.com.hk www.acmesanitary.com.hk</p> 	<p align="center">Illustration/ Drawing</p>   
---	--	--

Note:

** All information of the above is for the reference only. No prior notice is made if any changes.*